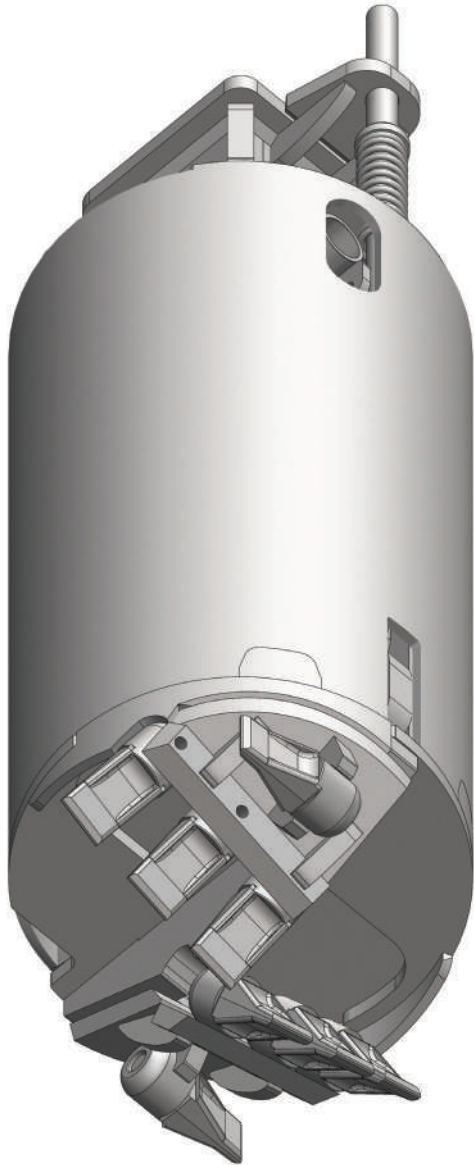
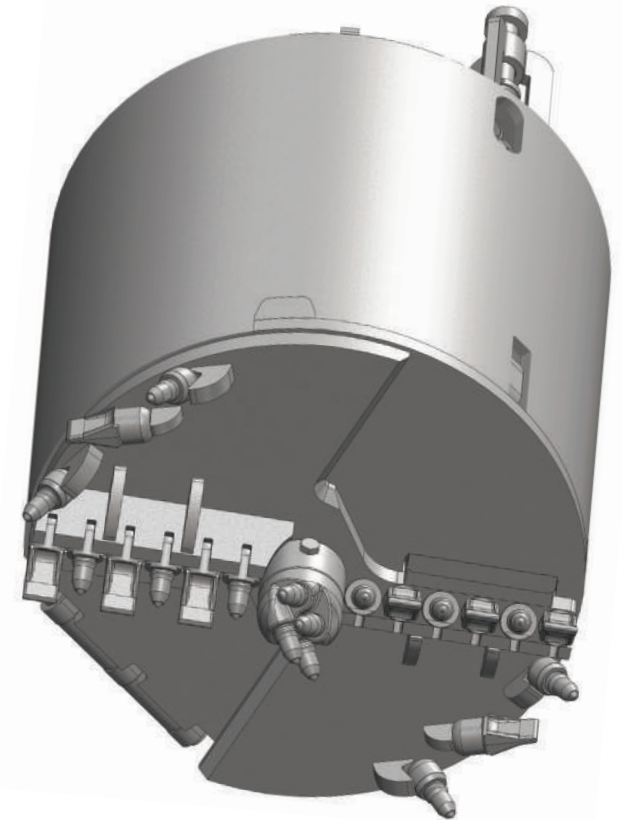
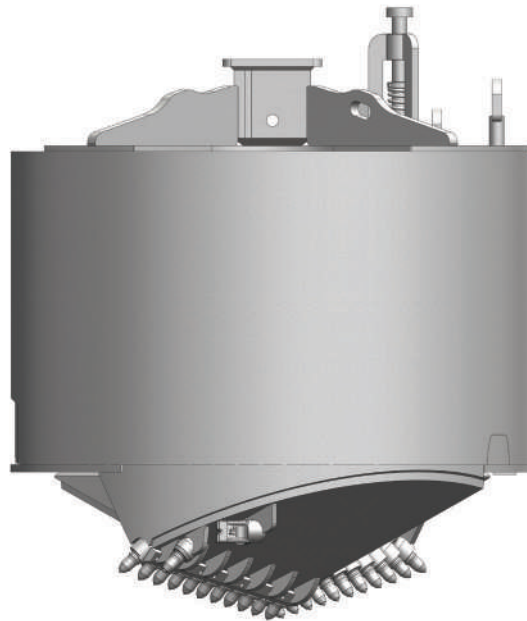


DRILLING BUCKETS



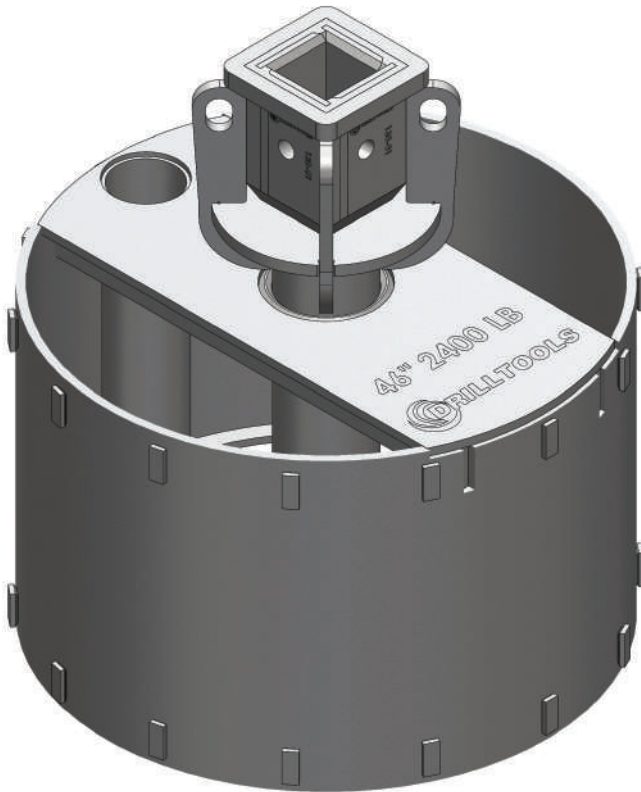
- 18"-180" Dia.
- Hinged Dump Bottom
- Manual and Auto Dump Release
- Single, Double, or Triple Entry Opening
- Dual Purpose Cutting Teeth

- Flat or Tapered Bottom Entry
- Spin Close or Flap Door Closure
- Interchangeable Clean Out Bottom
- Scoring Attachment Option
- Vented for Suction Relief



OTSB / MUCK BUCKET

Pre-Drilled Shaft Clean Out Bucket



- 12"-180" Dia.
- Spin Open Bottom
- Single or Double Opening
- Large Open Top
- Vented for Suction Relief



LANDFILL / RETRIEVAL BUCKET

- *Weld-On Coring Ring*
- *Positive Locking System*
- *High Strength Door Closure*

30'' - 60''

